

mahindra <sup>Rise</sup>

powerol  
BY mahindra

# POWERING THE GROWTH JOURNEY OF THE NATION

1010kVA & 1250kVA



Smallest Footprint  
in its segment



Longest  
Overhauling Period



Widest Sales &  
Service Network



Highest Power to  
Weight Ratio



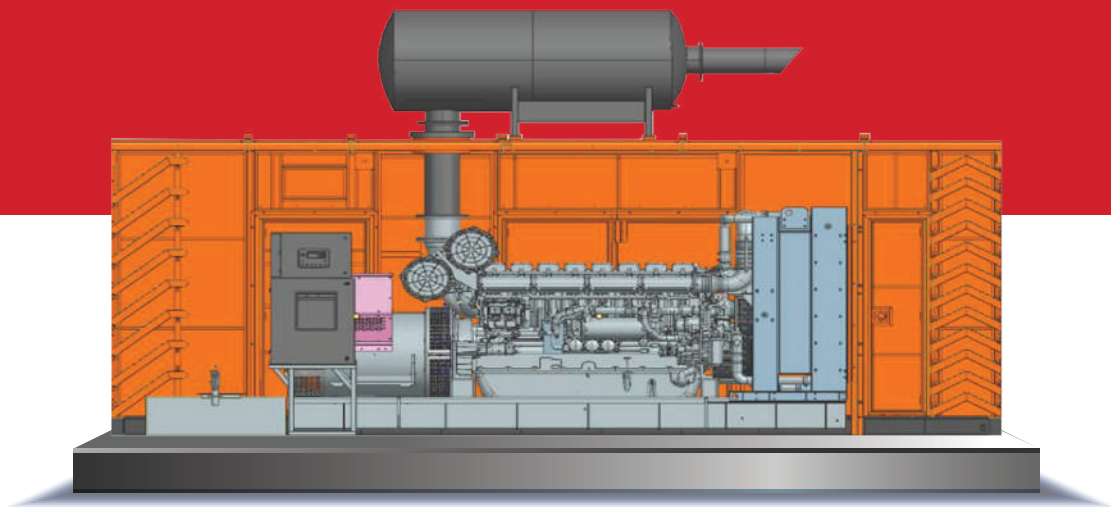
2 Years or  
6000 Hours Warranty\*

[www.mahindrapowerol.com](http://www.mahindrapowerol.com)

## About Powerol

Year 2002, Mahindra and Mahindra entered the field of power generation through its engines under the brand name Mahindra Powerol. The same engines are today powering Diesel Generating Sets ranging from 5kVA to 1250kVA. Mahindra Powerol is also widely acclaimed for its fuel efficiency and quick customer response. It's a name trusted by leading players in industries.

Within a short span of time, Mahindra Powerol has garnered immense customer trust which shows its level of commitment and customer centric approach. Presently, more than 600,000 Powerol gensets are powering different industries and applications in Indian and overseas markets. Mahindra Powerol, through its technology & service has taken giant strides in the engine and genset industry. In a little over a decade, it has also expanded its footprint to South East Asia, Far East, Middle East, Africa and Europe. To know more please visit [www.mahindrapowerol.com](http://www.mahindrapowerol.com)

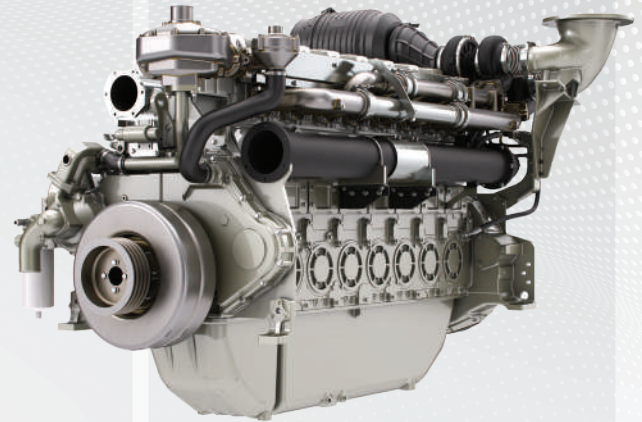


### Acoustic Enclosure

- Designed to operate in extreme climatic conditions in temperature ranging from 0 to 50 degree without any deration across india
- Long lasting superlative fade resistant paint
- Draw out type fuel tank for easy maintenance
- Fire retardant acoustic and insulation material (PU Foam/Rockwool) for better safety
- Easy access for serviceable parts
- Pre - treatment process with UV resistant powder coating
- A special Residential Silencer is provided to control exhaust noise

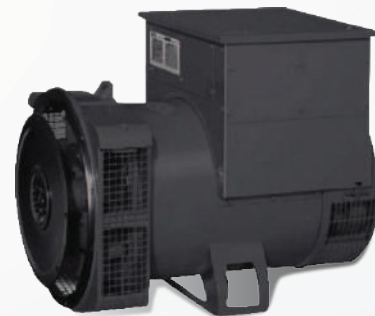
## Engine

- Engine with better fuel efficiency
- Dry type air cleaner with service indicator
- Engine with Electrical starter motor
- Engine With battery charging alternator
- Highest power to weight ratio
- Longest overhaul period upto 15000 hrs
- Best-in-class block load capacity



## Alternator

- Brushless screen protected, Drip proof, Self-excited, Self regulated IS/IEC60034-1
- A reliable long life with superior class 'H' insulation
- Highest motor starting capability
- Light & compact, best transient response
- Ease of maintenance with integrated components and outboard Exciter/Rotating Rectifier
- Sealed bearing for less maintenance



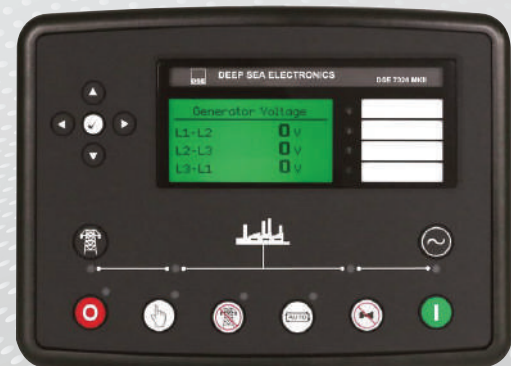
## Controller

### Key Features

- 4-line back-lit LCD display
- PIN-protected front panel editing
- Customisable screens with power saving mode
- 9 inputs & 8 outputs (configurable)
- 3 maintenance & alternator failure alarms
- Manual speed control
- Power & load monitoring, Earth fault trip
- USB, RS232/RS485, SCADA & SMS control
- Static battery charger for battery health

### Key Benefits

- Clear 132x64 pixel display
- Date & time schedulers
- Configurable maintenance periods
- BMS integration support
- PLC editor for custom functions
- GSM based remote monitoring



## Control Panel

- Indicator lamps for 'Load on' and 'Set Running'
- Battery Charger 24V
- Fuses/MCBs for control circuit safety protection
- ACB of suitable rating with short circuit protection

## Remote Monitoring System

- RMS is standard scope IOT incorporated for continuous remote monitoring of engine operational parameters like running hours, health, RPM, logs of the error and operational parameters through app and web - based platforms



## Smart Generator Management Solutions

- Receive timely notifications for maintenance checks (A Check/B Check), ensuring you never miss a critical service moment
- Tailor preventive maintenance schedules to the specific needs of your generators, enhancing their efficiency and reliability
- Keep track of each fueling event to ensure accuracy and deter theft
- Boost operational transparency with our generator fuel traceability system, enabling precise fuel tracking and management

## Optional Accessories

- Cold Starting System
- PMG Alternator, Space heater, RTD/BTD
- Auto Mains Failure/Auto Transfer Switch/Sync, Controller/Sync Panel

## Applications



Infrastructure



Industry



IT/ITES



Hospitality



Healthcare



Real Estate



Logistics



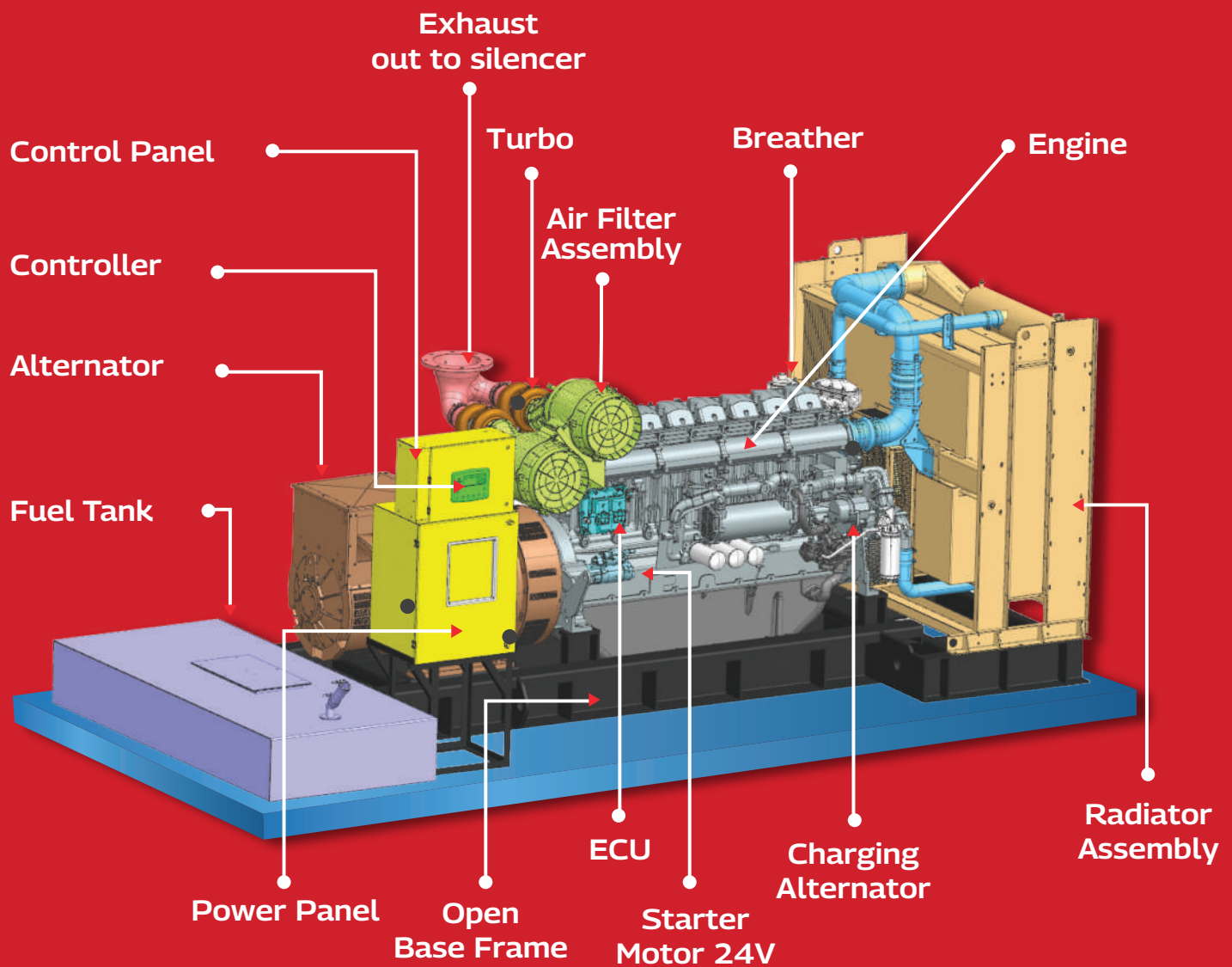
Rental

## Technical Specifications

Genset	1010kVA	1250kVA*
Genset Model	M1010DR	M1250DR
Open DG Dimension, mm	4285 x 2205 x 2065	4285 x 2205 x 2065
Cap-On Canopy DG Dimension, mm	6900 x 2600 x 2750	6900 x 2600 x 2750
Integrated Canopy DG Dimensions, mm	6900 x 2440 x 2750	6900 x 2440 x 2750
Open DG wet weight (kg)	7950	8340
Cap-On Canopy DG weight, (kg)	10900	11340
Integrated Canopy DG weight, (kg)	10860	11250
Cap-On DG Fuel Tank Capacity, Litres	905	905
Integrated DG Fuel Tank Capacity, Litres	990	990
Governing Class	G2/G3 as per ISO 8528-5	G2/G3 as per ISO 8528-5
Engine		
Engine Manufacturer	Perkins India	Perkins India
Engine Model	4008-30TAG2	4008-30TAG3
Configuration	8 Cyl. In-line	8 Cyl. In-line
Aspiration	TCAC	TCAC
Gross Engine Power output kWm / BHP	901 / 1208	1105 / 1481
Net Engine power output kWm / BHP	851 / 1140	1055 / 1414
Displacement, Lit	30.5	30.5
Bore, mm	160	160
Stroke, mm	190	190
Rated Speed, rpm	1500	1500
Compression Ratio	13:01	13:01
Lube oil capacity Max, Litres	153	153
Lube oil capacity Min, Litres	127	127
Governor Type	Electronic	Electronic
Fuel System		
Type of injection system	Direct injection	Direct injection
Cooling System		
Ambient Temperature Capability, °C	50 Max <sup>1</sup>	50 Max <sup>1</sup>
Coolant Capacity with radiator, Litres	140	140
Alternator		
Specification	1010kVA - 3ph	1250kVA - 3ph
Rated Voltage	415V	415V
Type	4 Pole	4 Pole
Exciter type	Brushless	Brushless
Insulation	Class - H	Class - H
Temperature rise	125 °C	125 °C
Enclosure Protection	IP23	IP23
Bearing	Single	Single
Voltage Regulation	± 0.5%	± 0.5%
Electrical System		
Electrical System	24V	24V
Panel	Engine control panel + Power Panel	Engine control panel + Power Panel
Controller	DSE7320-MKII	DSE7320-MKII
Battery	2*180AH	2*180AH

Rating Definition: • Prime Power - Unlimited hours usage with an average load factor of 80% of the published prime power over each 24 hour period. A 10% overload is available for 1 hour in every 12-hour operation.  
 • \*Standby Power - Limited to 500 hours annual usage with an average load factor of 80% of the published standby power rating over each 24 hour period. Up to 300 hours of annual usage may be run continuously. No overload is permitted on standby power.  
 • <sup>1</sup> Standard deration is applicable.

## Key Components



Mahindra & Mahindra Ltd.,  
Mahindra Powerol  
MHEL, 1st Floor, Gate No. 12, A-1/1, Talawade  
Chakan Rd, Chakan Industrial Area,  
Phase-IV, Nigoje, Maharashtra, 410501.



Toll free no. 1800 419 1999  
poweroldg@mahindra.com  
www.mahindrapowerol.com